

# Resettable Flowmeter Register

## Application

For registering delivered or transferred quantities per job and in total. Manually resettable. For use with VAF liquid flowmeters Series MidFlow® and HiFlow®.

## General

The register is equipped with a 5-digit manual y resettable counter and an 8-digit totaliser. This combination gives full flexibility in metering separate delivery jobs and total deliveries. The resettable flowmeter register can be combined with a presettable register and/or with a ticket printer. For remote reading the unit can be provided with an electric pulse transmitter. To enable the register to be turned in any direction for easier reading, even when it is running, a swivel adapter can be provided.

## Operation of counter

The counter is operated by turning the handcrank one revolution clockwise. During reset the numeral wheels are obscured.

### Caution:

Do not reset while counting.

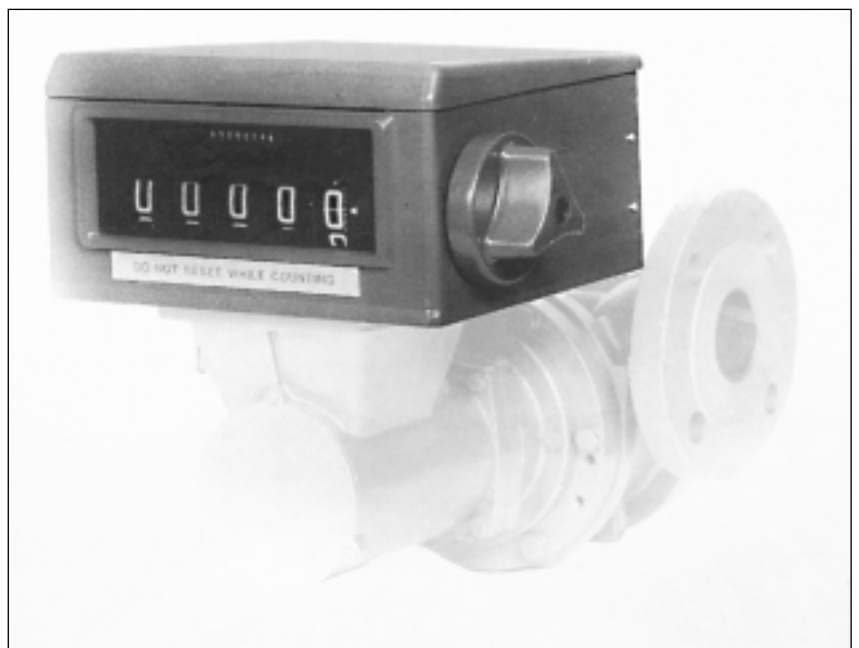


Fig. 1, Resettable Flowmeter Register

## Technical specifications of counter

Smallest read-out unit	: See table on page 2. For other units consult factory.
Housing material	: Cast aluminium
Reset counter part:	
Number of digits	: 5
Height of digits	: 19 mm (3/4 inch)
Colour of digits	: White on black background
Totaliser part:	
Number of digits	: 8
Height of digits	: 3.2 mm (1/8 inch)
Colour of digits	: White on black background
Weight	: 6.2 kg (13.8 lbs)

### Smallest read-out units

Flowmeter conn. size	DN 25 (1")	DN 40 (1 1/2")	DN 50 (2")	DN 80 (3")	DN 100 (4")	DN 150 (6")	DN 200 (8")
Type of flowmeter	Smallest read-out unit						
Serie J	0.1 litre/1litre	0.1 litre/1litre	1 litre/0.01 m <sup>3</sup>	1 litre/0.01 m <sup>3</sup>	0.01/0.1 m <sup>3</sup>	0.01/0.1 m <sup>3</sup>	0.01/0.1 m <sup>3</sup>

### Electric pulse transmitter

If the flowmeter has to provide pulse signals in other than metric units, this is usually only possible if the output pulses first pass through a scaler. If a scaler can not be used, for example because it has to be placed in an explosion hazardous environment or because a non-NAMUR pulse transmitter is preferred, an external pulse transmitter can be fitted to the side of the resetable meter register. This is a reed-switch, fitted in an explosion-proof enclosure. The reed switch is actuated by magnet to produce one (1) or ten (10) pulses for each digit indicated on the register right figure wheel.

### Technical specifications of pulse transmitter

#### Pulse rate:

Reed switch : 1 or 10 pulses per revolution of the right hand figure wheel of the reset counter.

Intrinsic safety : EEx-d IIb16. Can be used in 'Zone 1' hazardous areas, or acc. Div. 1, Class 1, Groups C and D.

Contact rating : Max. 50 VA resistive, not to exceed 250V or 3A.

Switch type : Single pole, single throw.

Electrical connection : 1/2"-1.4 NPT conduit connector. Cable length approx. 45 cm (18").

Temperature range : -40 to 70~C (40 to 160°F).

#### Optical encoder:

Supply power : 10 to 50 VDC

Output : Open collector; max. 22 mA.

### Ordering information

When ordering a resetable flowmeter register specify the required engineering unit to be read out. When ordering a side mounted pulse transmitter specify the required output pulse rate.

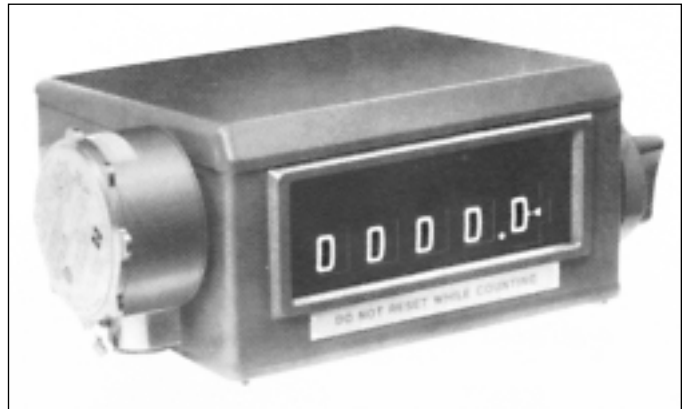


Fig 2. Register with pulse transmitter

**Dimensions**

Dimensions are in millimeters.

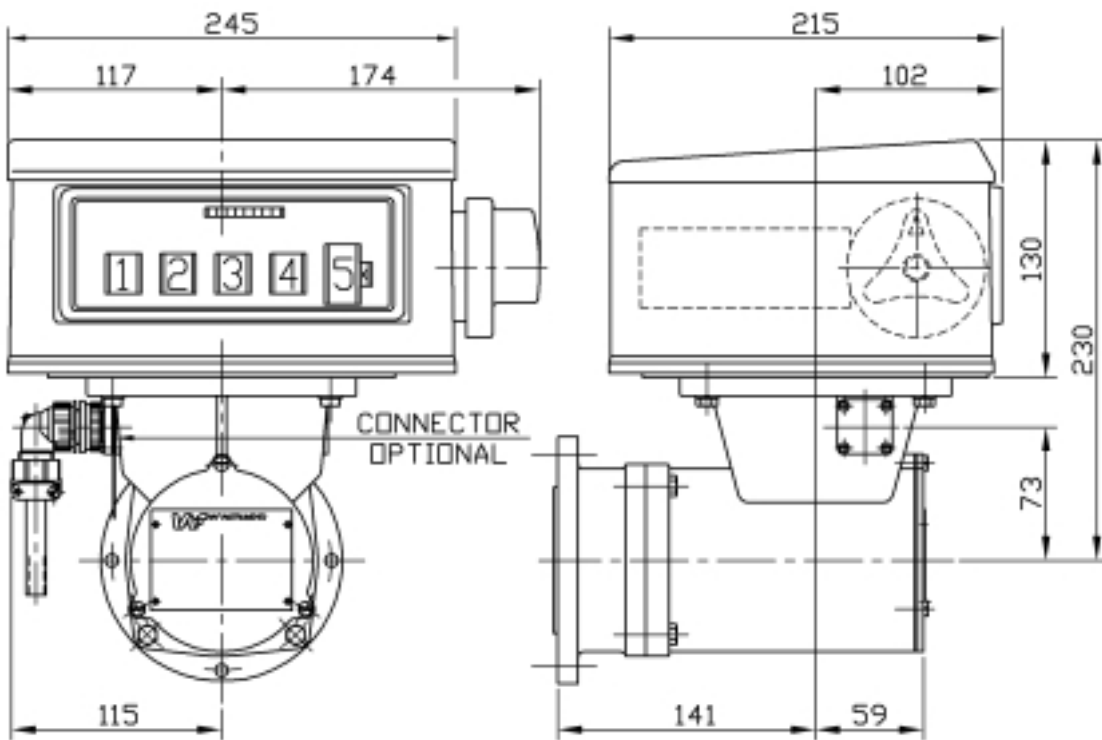


Fig. 3 Resettable flowmeter register

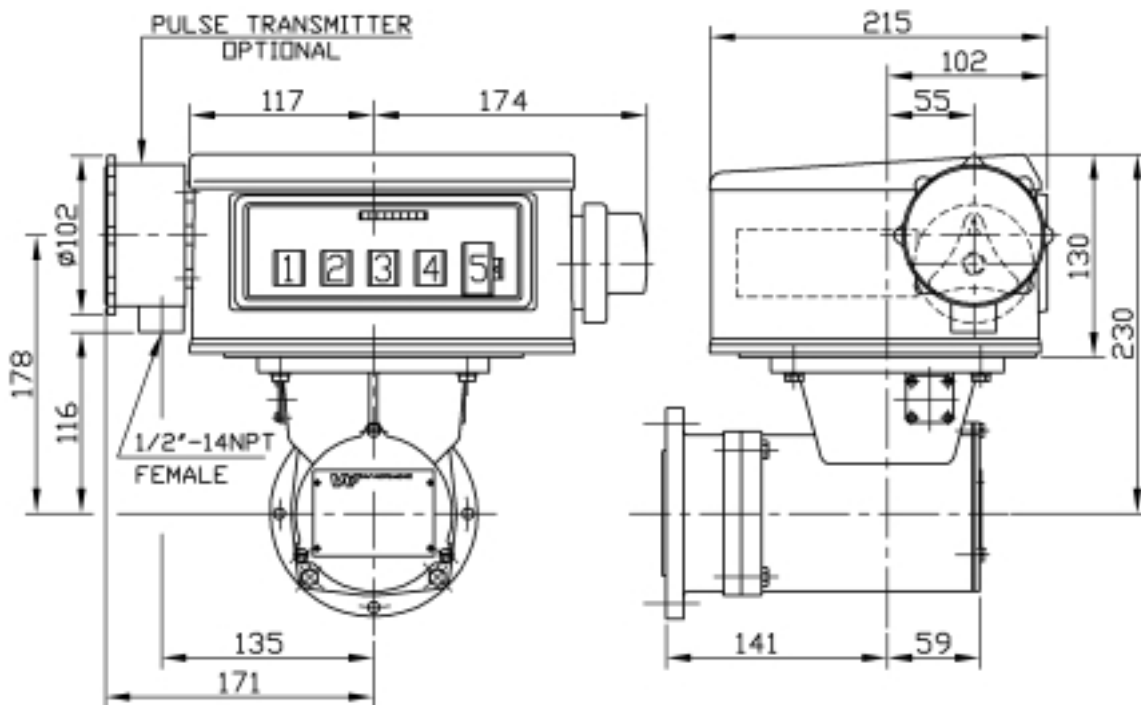


Fig. 4 Resettable flowmeter register with external pulse transmitter



VAF Instruments B.V.  
Vierlinghstraat 24, NL-3316 EL Dordrecht  
P.O.Box 40, NL-3300 AA Dordrecht  
The Netherlands  
Telephone: +31 78 618 3100  
Fax: +31 78 617 7068  
Internet: [www.vaf.nl](http://www.vaf.nl)  
E-mail: [sales@vaf.nl](mailto:sales@vaf.nl)

Specifications subject to change without notice.  
Agents and distributors in more than 50 countries.



Publ. No. PB251-GB-1004

Represented by: